

PROPRIETARY DATA:

This document and information contained may not be reproduced, used or disclosed without prior written permission of WESTCOR a division of VICOR Corporation.

NOTE: A DETAILED DESIGN GUIDE IS AVAILABLE @ www.vicorpower.com

REVISION HISTORY				
ECO	REV	DESCRIPTION	DATE	APPROVED
1030	A	PRODUCTION RELEASE	11/08/01	R.M.E.
1137	A1	CHANGED PICTURE	02/21/02	R.M.E.
1289	B	ADD HI POWER KIT AND CHG AC INPUT PINS TO 12 AMP	07/31/03	LGK
1392	B1	UPDATED DWG TO REFLECT NEW MODEL	8/5/04	RME
---	B2	CHG MOLEX PIN 16-02-0103 FR: 24-30AWG TO: 22-24AWG	03/23/06	LGK
1615	C	CHANGE HI POWER MOLEX PIN TO: 45750-3211	05/22/06	LGK
---	C1	ADD MISSING OVERALL HEIGHT DIMENSION	02/25/08	LGK
1113	D	CHANGE BOTTOM SCREW PENETRATION LENGHT TO .12 IN	03/01/10	RME

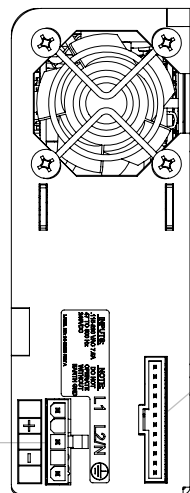
CB E/D INTERFACE CONNECTOR

MATING CONNECTOR:
HOUSING: MOLEX (50-57-9412)
SOCKET CRIMP 24-30 AWG: MOLEX (16-02-0097)
CRIMP TOOL: MOLEX (11-01-0209)

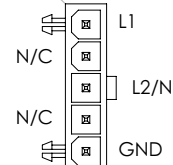
PIN	DESCRIPTION
1	SGND
2	PGR
3	ACOK
4	ED6
5	ED5
6	ED4
7	ED3
8	ED2
9	ED1
10	GSD
11	PGDV
12	+5 VS

CBJ3 (12 PIN)

PIN 1



MBJ1 (3 PIN)



MBJ1 A/C INPUT

MATING CONNECTOR:
HOUSING: MOLEX (39-01-4051)
SOCKET CRIMP 16 AWG: MOLEX (45750-3211)
CRIMP TOOL: MOLEX (11-01-0199)

NOTES: UNLESS OTHERWISE SPECIFIED

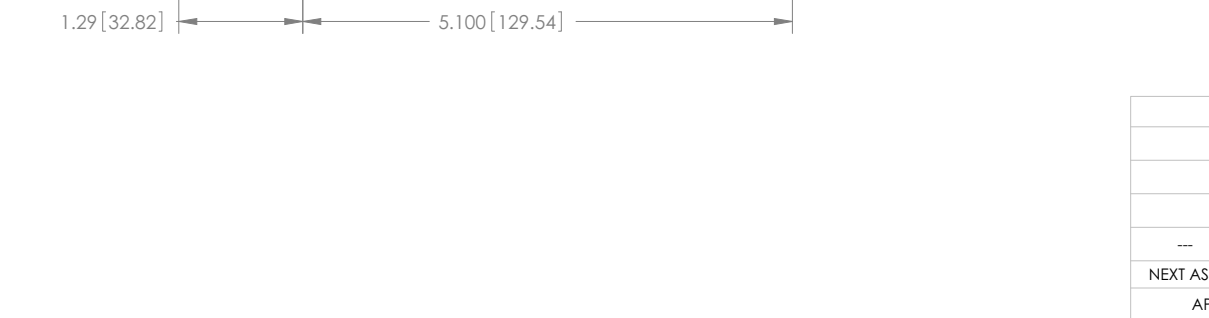
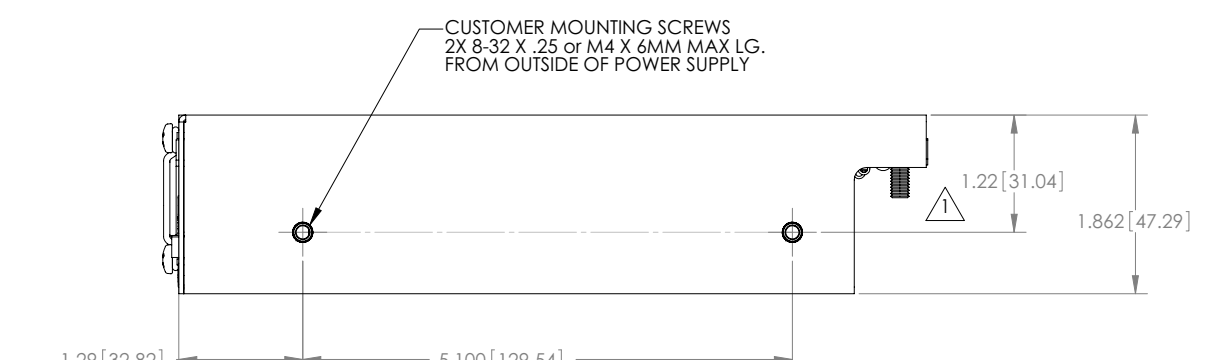
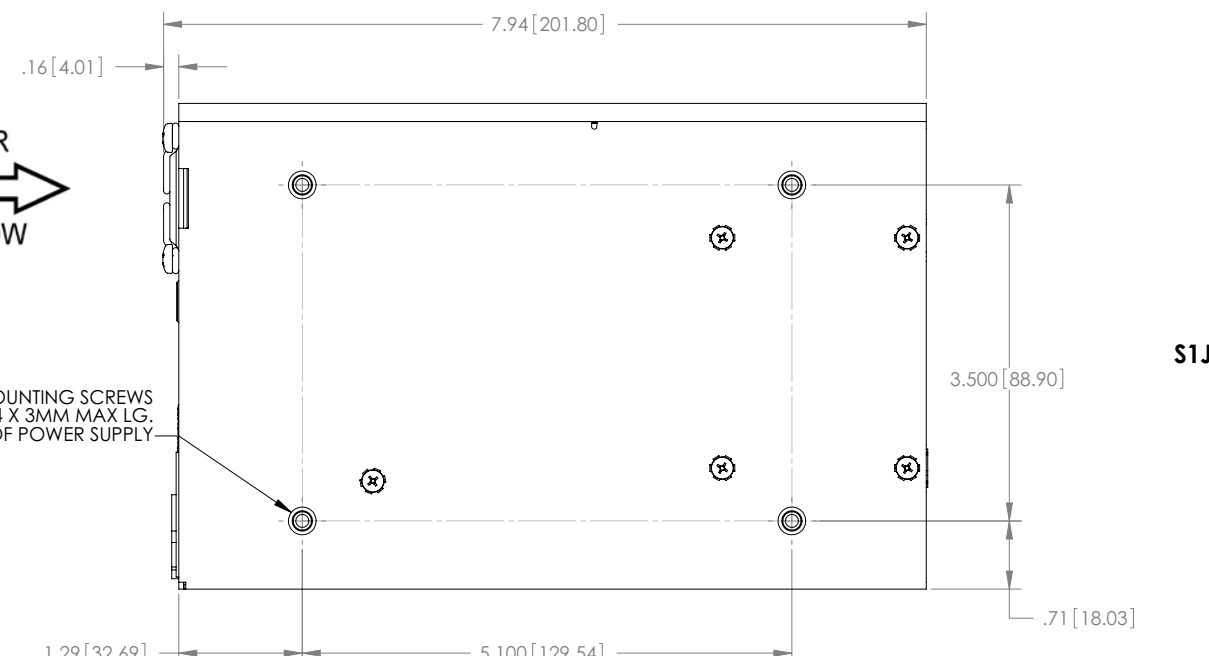
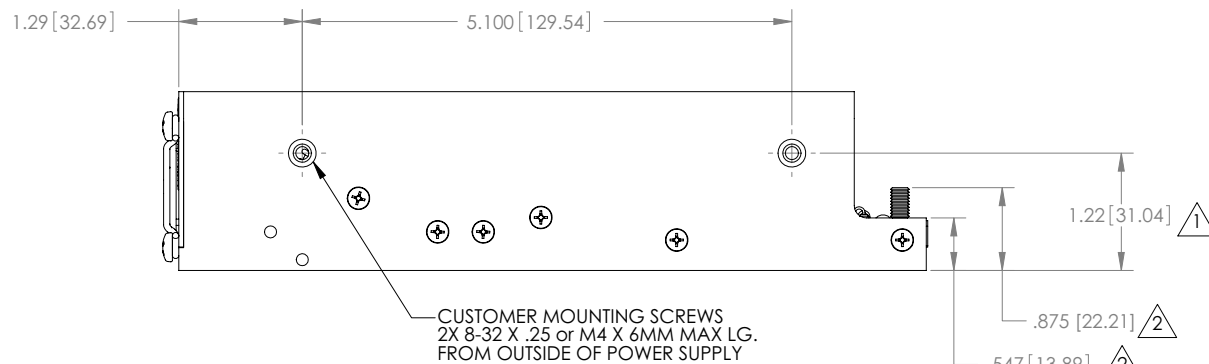
1 DIMENSIONS SHOWN ARE FROM BOTTOM SURFACE. MOUNTING PENNUTS EXTEND .010 PAST BOTTOM SURFACE

2 ED4 THRU 6 ARE NOT USED.

3 ED / REFERENCE DESIGNATION LEGEND:
MB = MOTHER BOARD
CB = CONTROL BOARD
SI = DAUGHTER BOARD MODULES ED 1 THRU 3

4 CONNECTOR PART NUMBERS SPECIFIED ARE MOLEX. EQUIVALENT PARTS MAY BE USED.

5 A COMPLETE SET OF MATING CONNECTORS CAN BE PURCHASED FROM WESTCOR BY SPECIFYING CONNECTOR KIT P/N 19-130044.

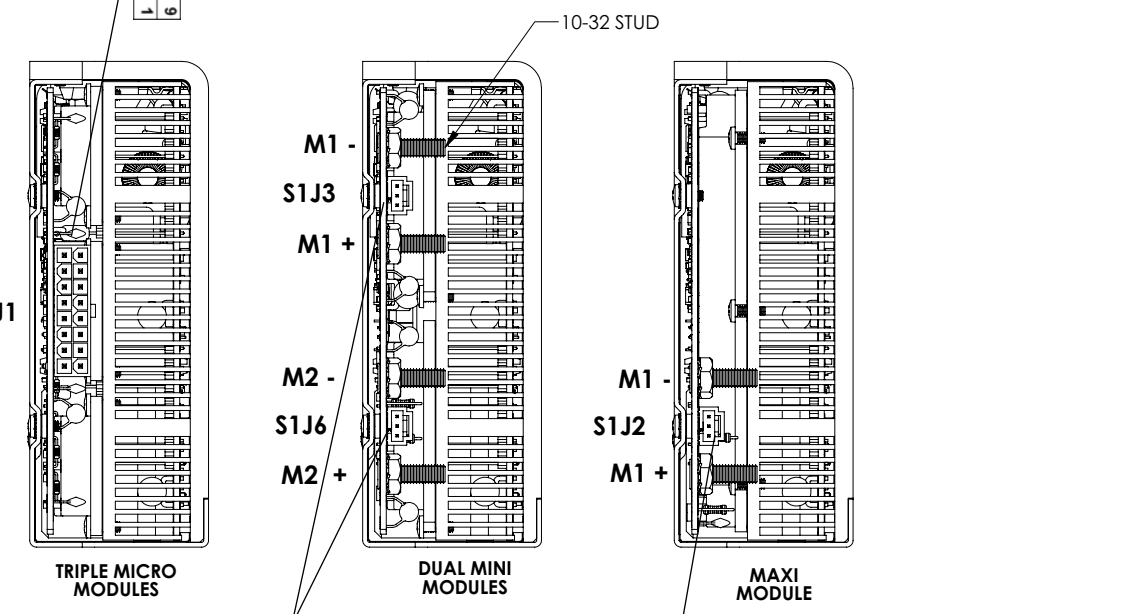


S1J1 REMOTE SENSE/OUTPUT CONNECTORS

MATING CONNECTORS:
16 PIN HOUSING: MOLEX (39-01-2160)
SOCKET CRIMP 9AMP 18-24 AWG: MOLEX (30-00-0039)
CRIMP TOOL: MOLEX (11-01-0197)

S1J1 (16 PIN, TRIPLE MICRO MODULES)

PIN	DESCRIPTION	PIN	DESCRIPTION
16	** +V OUT M3	9	** +V OUT M3
15	** -V OUT M3	10	** -V OUT M3
14	TRIM M3	11	N/C
13	** +V OUT M2	12	** +V OUT M2
12	** -V OUT M2	13	** -V OUT M2
11	TRIM M2	14	TRIM M1
10	** +V OUT M1	15	** +V OUT M1
9	** -V OUT M1	16	** -V OUT M1



S1J3/J6 REMOTE SENSE/TRIM PIN ACCESS CONNECTOR

MATING CONNECTOR:
HOUSING: MOLEX (50-57-9403)
SOCKET CRIMP 22-24 AWG: MOLEX (16-02-0103)
CRIMP TOOL: MOLEX (11-01-0208)

S1J2 REMOTE SENSE/TRIM PIN ACCESS CONNECTOR

MATING CONNECTOR:
HOUSING: MOLEX (50-57-9403)
SOCKET CRIMP 22-24 AWG: MOLEX (16-02-0103)
CRIMP TOOL: MOLEX (11-01-0208)

ITEM NO	PART OR IDENTIFYING NO	NOMENCLATURE OR DESCRIPTION	MATERIAL SPECIFICATION	QTY REQD
UNLESS OTHERWISE SPECIFIED DIMENSIONS ARE IN INCHES TOLERANCES ARE: FRACTIONS DECIMALS ANGLES ± 1/32 .XX ± .01 ± 1/2° .XXX ± .005				
THIRD ANGLE PROJECTION				
APPROVALS		DATE		
---	SEE MIS	---	---	12/4/00
---	USED ON	---	---	12/4/00
APPLICATION		DO NOT SCALE DRAWING		
APPROVED		APPROVED		

WESTCOR a division of
VICOR Corp.

OUTLINE DRAWING
PFC MICRO-S

SIZE DWG. NO. 08-130112-01 REV D

SCALE 1:1 FILENAME: 08-130112-01 SHEET 1 OF 1